

TEMPERATURE COMPENSATED CRYSTAL OSCILLATOR

LIHOM P/N : BXT-253C (TCXO)

FEATURES

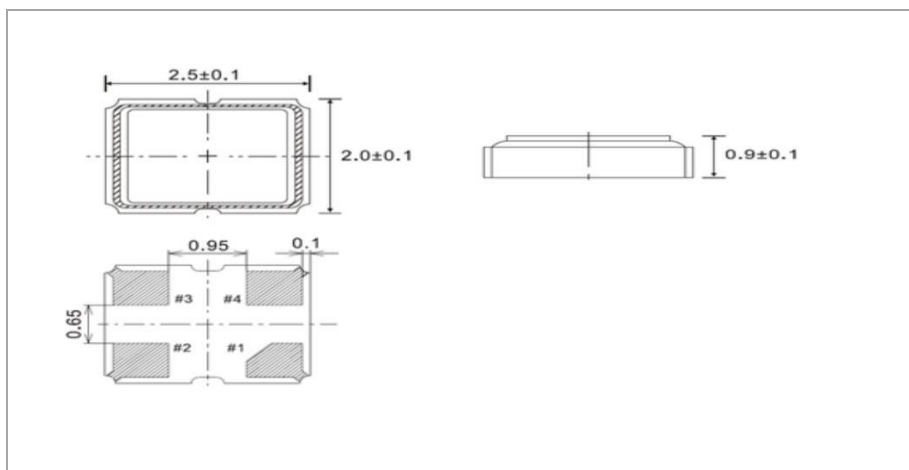
- DIMENSION (mm) : 2.50 X 2.00 X 0.90
- CERAMIC PACKAGE
- CMOS
- SEAM SEALING
- RoHS COMPLIANT



SPECIFICATIONS

Item	Conditions	Specifications	
1	HOLDER TYPE	BXT-253C	2.5X2.0mm
			TCXO
2	POWER SUPPLY VOLTAGE	V	1.8 ~ 3.3V
3	FREQUENCY RANGE	MHz	10 ~ 52MHz
4	FREQUENCY STABILITY	PPM	±2.5ppm
		OPERATING TEM. RANGE	-30 ~ +85 °C
		Vs AGING	±1.0ppm /Year Max. At 25 °C
		Vs VOLTAGE CHANGE	±0.3ppm (±5% input voltage change)
		Vs LOAD CHANGE	±0.3ppm (±5% load condition change)
5	STORAGE TEMPERATURE RANGE	°C	-40 ~ +85 °C
6	SYMMETRY	%	40 ~ 60%
7	CURRENT CONSUMPTION	mA	15mA
8	START-UP TIME		5.0mS
9	OUTPUT LOAD		15pF
10	OUTPUT WAVE FORM		CMOS

DIMENSION



TERMINAL	CONNECTION
#1	E/D
#2	GND
#3	OUTPUT
#4	Vdd